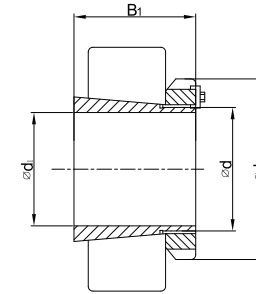
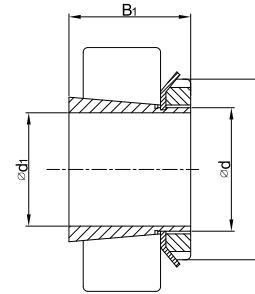
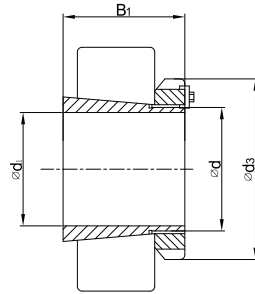
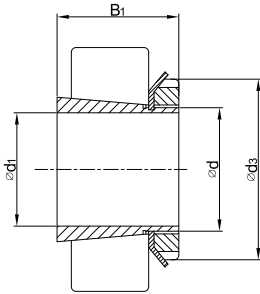


Bearing Accessories

Bearing accessories available at UBC mainly includes:

- Adapter sleeves
- Withdraw sleeves
- Lock washer
- Lock nut



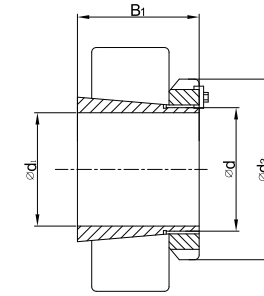
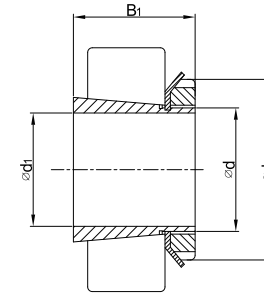
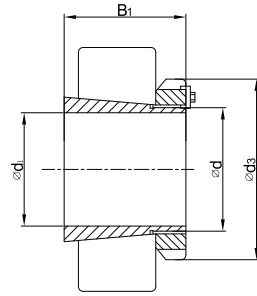
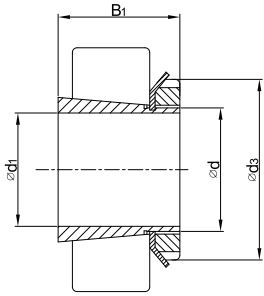


H2 series

H3 series

Designations			Principal Dimensions (mm)				Assorted Bearings	Weight (kg)	Designations			Principal Dimensions (mm)				Assorted Bearings				Weight (kg)
Adapter Sleeve	Lock Nut	Lock Washer	d	d ₁	B ₁	d ₃	Ball Bearing		Adapter Sleeve	Lock Nut	Lock Washer	d	d ₁	B ₁	d ₃	Ball Bearing	Roller Bearing			
H204	KM04	MB04	20	17	24	32	1204K	0.036	H304	KM04	MB04	20	17	28	32	1304K	2204K	21304K	-	0.04
H205	KM05	MB05	25	20	26	38	1205K	0.064	H305	KM05	MB05	25	20	29	38	1305K	2205K	21305K	22205K	0.071
H206	KM06	MB06	30	25	27	45	1206K	0.086	H306	KM06	MB06	30	25	31	45	1306K	2206K	21306K	22206K	0.095
H207	KM07	MB07	35	30	29	52	1207K	0.12	H307	KM07	MB07	35	30	35	52	1307K	2207K	21307K	22207K	0.14
H208	KM08	MB08	40	35	31	58	1208K	0.16	H308	KM08	MB08	40	35	36	58	1308K	2208K	21308K	22208K	0.17
H209	KM09	MB09	45	40	33	65	1209K	0.21	H309	KM09	MB09	45	40	39	65	1309K	2209K	21309K	22209K	0.23
H210	KM10	MB10	50	45	35	70	1210K	0.24	H310	KM10	MB10	50	45	42	70	1310K	2210K	21310K	22210K	0.27
H211	KM11	MB11	55	50	37	75	1211K	0.28	H311	KM11	MB11	55	50	45	75	1311K	2211K	21311K	22211K	0.32
H212	KM12	MB12	60	55	38	80	1212K	0.31	H312	KM12	MB12	60	55	47	80	1312K	2212K	21312K	22212K	0.36
H213	KM13	MB13	65	60	40	85	1213K	0.36	H313	KM13	MB13	65	60	50	85	1313K	2213K	21313K	22213K	0.42
H215	KM15	MB15	75	65	43	98	1215K	0.66	H314	KM14	MB14	70	60	52	92	1314K	2214K	21314K	22214K	0.67
H216	KM16	MB16	80	70	46	105	1216K	0.81	H315	KM15	MB15	75	65	55	98	1315K	2215K	21315K	22215K	0.78
H217	KM17	MB17	85	75	50	110	1217K	0.94	H316	KM16	MB16	80	70	59	105	1316K	2216K	21316K	22216K	0.95
H218	KM18	MB18	90	80	52	120	1218K	1.1	H317	KM17	MB17	85	75	63	110	1317K	2217K	21317K	22217K	1.1
H219	KM19	MB19	95	85	55	125	1219K	1.25	H318	KM18	MB18	90	80	65	120	1318K	2218K	21318K	22218K	1.3
H220	KM20	MB20	100	90	58	130	1220K	1.4	H319	KM19	MB19	95	85	68	125	1319K	2219K	21319K	22219K	1.4
H222	KM22	MB22	110	100	63	145	1222K	1.8	H320	KM20	MB20	100	90	71	130	1320K	2220K	21320K	22220K	1.6
									H322	KM22	MB22	110	100	77	145	1322K	2222K	21322K	22222K	2.05



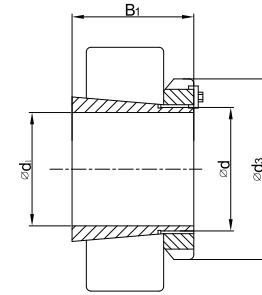
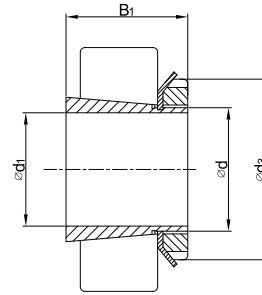
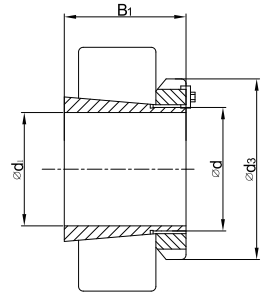
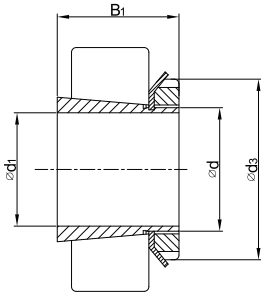


H30 series

H31 series

Designations			Principal Dimensions (mm)				Assorted Bearings	Weight (kg)	Designations			Principal Dimensions (mm)				Assorted Bearings	Weight (kg)	
Adapter Sleeve	Lock Nut	Lock Washer	d	d ₁	B ₁	d ₃	Roller Bearing		Adapter Sleeve	Lock Nut	Lock Washer	d	d ₁	B ₁	d ₃	Roller Bearing		
H3024	KML24	MBL24	120	110	72	145	23024K	1.8	H3120	KM20	MB20	100	90	76	130	23120K	—	1.8
H3026	KML26	MBL26	130	115	80	155	23026K	2.8	H3122	KM22	MB22	110	100	81	145	23122K	—	2.1
H3028	KML28	MBL28	140	125	82	165	23028K	3.05	H3124	KM24	MB24	120	110	88	155	23124K	22224K	2.5
H3030	KML30	MBL30	150	135	87	180	23030K	3.75	H3126	KM26	MB26	130	115	92	165	23126K	22226K	3.45
H3032	KML32	MBL32	160	140	93	190	23032K	5.1	H3128	KM28	MB28	140	125	97	180	23128K	22228K	4.1
H3034	KML34	MBL34	170	150	101	200	23034K	5.8	H3130	KM30	MB30	150	135	111	195	23130K	22230K	5.25
H3036	KML36	MBL36	180	160	109	210	23036K	6.7	H3132	KM32	MB32	160	140	119	210	23132K	22232K	7.25
H3038	KML38	MBL38	190	170	112	220	23038K	7.25	H3134	KM34	MB34	170	150	122	220	23134K	22234K	8.1
H3040	KML40	MBL40	200	180	120	240	23040K	8.9	H3136	KM36	MB36	180	160	131	230	23136K	22236K	9.15
OH3044H	HM3044	MS3044	220	200	126	260	23044K	9.9	H3138	KM38	MB38	190	170	141	240	23138K	22238K	10.5
OH3048H	HM3048	MS3052-48	240	220	133	290	23048K	12	H3140	KM40	MB40	200	180	150	250	23140K	22240K	12
OH3052H	HM3052	MS3052-48	260	240	145	310	23052K	13.5	OH3144H	HM44T	MB44	220	200	161	280	23144K	22244K	15
OH3056H	HM3056	MS3056	280	260	152	330	23056K	16	OH3148H	HM48T	MB48	240	220	172	300	23148K	22248K	16.5
OH3060H	HM3060	MS3060	300	280	168	360	23060K	20.5	OH3152H	HM52T	MB52	260	240	190	330	23152K	22252K	21
OH3064H	HM3064	MS3068-64	320	300	171	380	23064K	22	OH3156H	HM56T	MB56	280	260	195	350	23156K	22256K	23
OH3068H	HM3068	MS3068-64	340	320	187	400	23068K	27	OH3160H	HM3160	MS3160	300	280	208	380	23160K	22260K	29
OH3072H	HM3072	MS3072	360	340	188	420	23072K	29	OH3164H	HM3164	MS3164	320	300	226	400	23164K	22264K	32
OH3076H	HM3076	MS3080-76	380	360	193	450	23076K	35.5	OH3168H	HM3168	MS3172-68	340	320	254	440	23168K	—	50
OH3080H	HM3080	MS3080-76	400	380	210	470	23080K	40	OH3172H	HM3172	MS3172-68	360	340	259	460	23172K	22272K	56
OH3084H	HM3084	MS3084	420	400	212	490	23084K	47	OH3176H	HM3176	MS3176	380	360	264	490	23176K	—	61.5
OH3088H	HM3088	MS3092-88	440	410	228	520	23088K	65	OH3180H	HM3180	MS3184-80	400	380	272	520	23180K	—	73
OH3092H	HM3092	MS3092-88	460	430	234	540	23092K	71	OH3184H	HM3184	MS3184-80	420	400	304	540	23184K	—	80
OH3096H	HM3096	MS30500-96	480	450	237	560	23096K	75	OH3188H	HM3188	MS3192-88	440	410	307	560	23188K	—	95
OH30500H	HM30500	MS30500-96	500	470	247	580	230500K	82	OH3192H	HM3192	MS3192-88	460	430	326	580	23192K	—	119
OH30530H	HM30530	MS30600-530	530	500	265	630	230530K	105	OH3196H	HM3196	MS3196	480	450	335	620	23196K	—	135
OH30560H	HM30560	MS30560	560	530	282	650	230560K	112	OH31500H	HM31500	MS31500	500	470	356	630	231500K	—	145
OH30600H	HM30600	MS30600-530	600	560	289	700	230600K	147	OH31530H	HM31530	MS31530	530	500	364	670	231530K	—	161
OH30630H	HM30630	MS30630	630	600	301	730	230630K	138	OH31560H	HM31560	MS31600-560	560	530	377	710	231560K	—	185
OH30670H	HM30670	MS30670	670	630	324	780	230670K	190	OH31600H	HM31600	MS31600-560	600	560	399	750	231600K	—	234
OH30710H	HM30710	MS30710	710	670	342	830	230710K	228	OH31630H	HM31630	MS31630	630	600	424	800	231630K	—	254
OH30750H	HM30750	MS30800-750	750	710	356	870	230750K	246	OH31670H	HM31670	MS31670	670	630	456	850	231670K	—	340
OH30800H	HM30800	MS30800-750	800	750	366	920	230800K	302	OH31710H	HM31710	MS31710	710	670	467	900	231710K	—	392
OH30850H	HM30850	MS30900-850	850	800	380	980	230850K	341	OH31750H	HM31750	MS31800-750	750	710	493	950	231750K	—	451
OH30900H	HM30900	MS30900-850	900	850	400	1030	230900K	387	OH31800H	HM31800	MS31800-750	800	750	505	1000	231800K	—	535
OH30950H	HM30950	MS30950	950	900	420	1080	230950K	424	OH31850H	HM31850	MS31900-850	850	800	536	1060	231850K	—	616
OH301000H	HM301000	MS301000	1000	950	430	1140	2301000K	470	OH31900H	HM31900	MS31900-850	900	850	557	1120	231900K	—	677
OH301060H	HM301060	MS301000	1060	1000	447	1200	2301060K	571	OH31950H	HM31950	MS31950	950	900	583	1170	231950K	—	738
									OH311000H	HM311000	MS311000	1000	950	609	1240	2311000K	—	811
									OH311060H	HM311060	MS311000	1060	1000	622	1300	2311060K	—	984



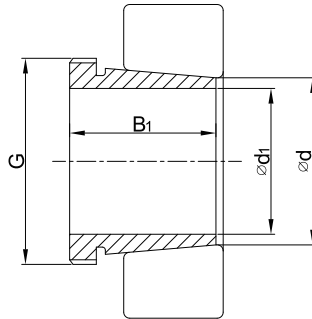


H23 series

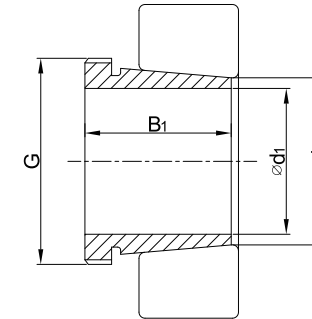
H32 series

Designations			Principal Dimensions (mm)				Assorted Bearings		Weight (kg)			Designation			Principal Dimensions (mm)				Assorted Bearings	Weight (kg)
Adapter Sleeve	Lock Nut	Lock Washer	d	d ₁	B ₁	d ₃	Ball Bearing	Roller Bearing				Adapter Sleeve	Lock Nut	Lock Washer	d	d ₁	B ₁	d ₃	Roller Bearing	
H2305	KM05	MB05	25	20	35	38	2305K	—	0.085			OH3260H	HM3160	MS3160	300	280	240	380	23260K	32
H2306	KM06	MB06	30	25	38	45	2306K	—	0.11			OH3264H	HM3164	MS3164	320	300	258	400	23264K	35
H2307	KM07	MB07	35	30	43	52	2307K	—	0.16			OH3268H	HM3168	MS3172-68	340	320	288	440	23268K	51.5
H2308	KM08	MB08	40	35	46	58	2308K	22308K	0.22			OH3272H	HM3172	MS3172-68	360	340	299	460	23272K	60.5
H2309	KM09	MB09	45	40	50	65	2309K	22309K	0.27			OH3276H	HM3176	MS3176	380	360	310	490	23276K	69.5
H2310	KM10	MB10	50	45	55	70	2310K	22310K	0.34			OH3280H	HM3180	MS3184-80	400	380	328	520	23280K	87
H2311	KM11	MB11	55	50	59	75	2311K	22311K	0.39			OH3284H	HM3184	MS3184-80	420	400	352	540	23284K	96
H2312	KM12	MB12	60	55	62	80	2312K	22312K	0.45			OH3288H	HM3188	MS3192-88	440	410	361	560	23288K	117
H2313	KM13	MB13	65	60	65	85	2313K	22313K	0.52			OH3292H	HM3192	MS3192-88	460	430	382	580	23292K	134
H2314	KM14	MB14	70	60	68	92	—	22314K	0.88			OH3296H	HM3196	MS3196	480	450	397	620	23296K	153
H2315	KM15	MB15	75	65	73	98	2315K	22315K	1.1			OH32/500H	HM31/500	MS31/500	500	470	428	630	232/500K	170
H2316	KM16	MB16	80	70	78	105	2316K	22316K	1.2			OH32/530H	HM31/530	MS31/530	530	500	447	670	232/530K	192
H2317	KM17	MB17	85	75	82	110	2317K	22317K	1.35			OH32/560H	HM31/560	MS31/600-560	560	530	462	710	232/560K	219
H2318	KM18	MB18	90	80	86	120	2318K	22318K	1.6			OH32/600H	HM31/600	MS31/600-560	600	560	487	750	232/600K	278
H2319	KM19	MB19	95	85	90	125	2319K	22319K	1.8			OH32/670H	HM31/670	MS31/670	670	630	558	850	232/670K	401
H2320	KM20	MB20	100	90	97	130	2320K	22320K	2			OH32/710H	HM31/710	MS31/710	710	670	572	900	232/710K	459
H2322	KM22	MB22	110	100	105	145	—	22322K	2.75			OH32/750H	HM31/750	MS31/800-750	750	710	603	950	232/750K	526
H2324	KM24	MB24	120	110	112	155	—	22324K	3.1											
H2326	KM26	MB26	130	115	121	165	—	22326K	4.45											
H2328	KM28	MB28	140	125	131	180	—	22328K	5.4											
H2330	KM30	MB30	150	135	139	195	—	22330K	6.4											
H2332	KM32	MB32	160	140	147	210	—	22332K	8.8											
H2334	KM34	MB34	170	150	154	220	—	22334K	9.9											
H2336	KM36	MB36	180	160	161	230	—	22336K	11											
H2338	KM38	MB38	190	170	169	240	—	22338K	12											
H2340	KM40	MB40	200	180	176	250	—	22340K	13.5											
OH2344H	HM44T	MB44	220	200	186	280	—	22344K	17											
OH2348H	HM48T	MB48	240	220	199	300	—	22348K	19											
OH2352H	HM52T	MB52	260	240	211	330	—	22352K	23											
OH2356H	HM56T	MB56	280	260	224	350	—	22356K	27											





AH3 series



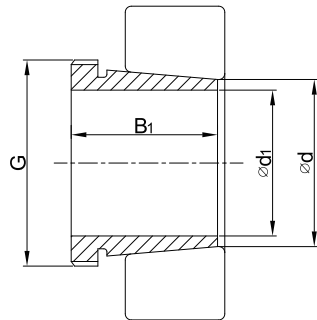
AH31 series

Designations		Principal Dimensions (mm)				Assorted Bearings				Weight (kg)			Designations		Principal Dimensions (mm)				Assorted Bearings		Weight (kg)
Withdrawal Sleeve	Lock Nut Designation	d	d ₁	B ₁	G	Ball Bearing		Roller Bearing					Withdrawal Sleeve	Lock Nut Designation	d	d ₁	B ₁	G	Roller Bearing		
AH308	KM09	40	35	29	M45X1.5	2208K	1308K	22208K	21308K	0.09			AH3120	KM22	100	95	64	M110X2	23120K	0.66	
AH309	KM10	45	40	31	M50X1.5	2209K	1309K	22209K	21309K	0.12			AH3122	KM24	110	105	68	M120X2	23122K	22222K	0.76
AHX310	KM11	50	45	35	M55X2	2210K	1310K	22210K	21310K	0.13			AH3124	KM26	120	115	75	M130X2	23124K	22224K	0.94
AHX311	KM12	55	50	37	M60X2	2211K	1311K	22211K	21311K	0.16			AH3126	KM28	130	125	78	M140X2	23126K	22226K	1.1
AHX312	KM13	60	55	40	M65X2	2212K	1312K	22212K	21312K	0.19			AH3128	KM30	140	135	83	M150X2	23128K	22228K	1.3
AH313	KM14	65	60	42	M70X2	2213K	1313K	22213K	21313K	0.22			AHX3130	KM32	150	145	96	M160X3	23130K	22230K	1.7
AH314	KM15	70	65	43	M75X2	—	—	22214K	21314K	0.24			AHX3132	KM34	160	150	103	M170X3	23132K	22232K	3
AH315	KM16	75	70	45	M80X2	2215K	1315K	22215K	21315K	0.29			AHX3134	KM36	170	160	104	M180X3	23134K	22234K	3.2
AH316	KM18	80	75	48	M90X2	2216K	1316K	22216K	21316K	0.37			AHX3136	KM38	180	170	116	M190X3	23136K	—	3.9
AHX317	KM19	85	80	52	M95X2	2217K	1317K	22217K	21317K	0.43			AHX3138	KM40	190	180	125	M200X3	23138K	—	4.5
AHX318	KM20	90	85	53	M100X2	2218K	1318K	22218K	21318K	0.46			AH3140	HM3044	200	190	134	Tr220X4	23140K	—	5.65
AHX319	KM21	95	90	57	M105X2	2219K	1319K	22219K	21319K	0.54			AH3144	HM3048	220	200	145	Tr240X4	23144K	—	9.3
AHX320	KM22	100	95	59	M110X2	2220K	1320K	22220K	21320K	0.58			AH3148	HM3052	240	220	154	Tr260X4	23148K	—	12
AHX322	KM24	110	105	63	M120X2	2222K	1322K	—	—	0.77			AHX3152	HM3056	260	240	172	Tr280X4	23152K	—	15.5
													AHX3156	HM3160	280	260	175	Tr300X4	23156K	—	17
													AHX3160	HM3164	300	280	192	Tr320X5	23160K	—	20.5
													AHX3164	HM3168	320	300	209	Tr340X5	23164K	—	24.5
													AHX3168	HM3172	340	320	225	Tr360X5	23168K	—	28.5
													AHX3172	HM3176	360	340	229	Tr380X5	23172K	—	30.5
													AHX3176	HM3180	380	360	232	Tr400X5	23176K	—	33
													AHX3180	HM3184	400	380	240	Tr420X5	23180K	—	38
													AHX3184	HM3188	420	400	266	Tr440X5	23184K	—	43
													AHX3188	HM3192	440	420	270	Tr460X5	23188K	—	46
													AHX3192	HM3196	460	440	285	Tr480X5	23192K	—	51.5
													AHX3196	HM31/500	480	460	295	Tr500X5	23196K	—	56
													AHX31/500	HM31/530	500	480	313	Tr530X6	231/500K	—	66.5
													AHX31/500	HM31/560	530	500	325	Tr560X6	231/530K	—	93.5
													AHX31/560	HM31/600	560	530	335	Tr600X6	231/560K	—	107
													AHX31/600	HM31/630	600	570	355	Tr630X6	231/600K	—	120
													AHX31/630	HM31/670	630	600	375	Tr670X6	231/630K	—	139
													AHX31/670	HM31/710	670	630	395	Tr710X6	231/670K	—	189
													AHX31/710	HM31/750	710	670	405	Tr750X7	231/710K	—	207
													AHX31/750	HM31/800	750	710	425	Tr800X7	231/750K	—	238
													AHX31/800	HM31/850	800	750	438	Tr850X7	231/800K	—	305
													AHX31/850	HM31/900	850	800	462	Tr900X7	231/850K	—	345
													AHX31/900	HM31/950	900	850	475	Tr950X8	—	—	379
													AHX31/950	HM31/1000	950	900	500	Tr1000X8	—	—	426
													AHX31/1000	HM31/1060	1000	950	525	Tr1060X8	231/1000K	—	485
													AHX31/1060	HM31/1120	1060	1000	540	Tr1120X8	—	—	599

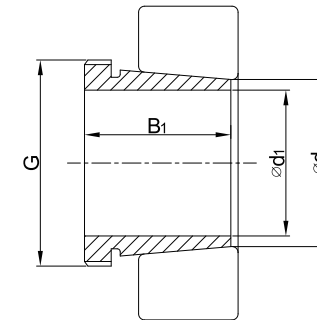
AH22 series

Designations		Principal Dimensions (mm)				Assorted Bearings		Weight (kg)													
Withdrawal Sleeve	Lock Nut Designation	d	d ₁	B ₁	G	Roller Bearing															
AH2236	KM38	180	170	105	M190X3	—	22236K	3.4													
AH2238	KM40	190	180	112	M200X3	—	22238K	3.9													
AOH2252	HM3056	260	240	155	Tr280X4	—	22252K	13.5													
AOH2256	HM3160	280	260	155	Tr300X4	—	22256K	15													
AOH2260	HM3164	300	280	170	Tr320X5	—	22260K	17.5													
AOH2264	HM3168	320	300	180	Tr340X5	—	22264K	20													





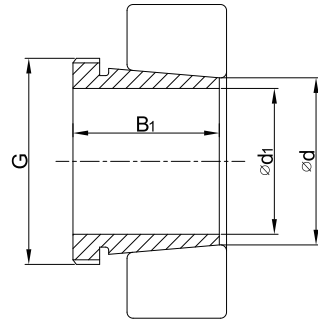
AH32 series



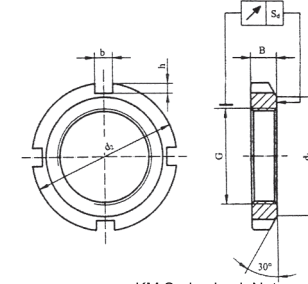
AH23 series

Designations		Principal Dimensions (mm)				Assorted Bearings	Weight (kg)	Designations		Principal Dimensions (mm)				Assorted Bearings	Weight (kg)	
Withdrawal Sleeve	Lock Nut Designation	d	d ₁	B ₁	G	Roller Bearing		Withdrawal Sleeve	Lock Nut Designation	d	d ₁	B ₁	G	Roller Bearing		
AHX3218	KM20	90	85	63	M100X2	23218K	0.57	AH2308	KM09	40	35	40	M45X1.5	2308K	22308K	0.13
AHX3220	KM22	100	95	73	M110X2	23220K	0.76	AH2309	KM10	45	40	44	M50X1.5	2309K	22309K	0.16
AHX3222	KM24	110	105	82	M120X2	23222K	1	AHX2310	KM11	50	45	50	M55X2	2310K	22310K	0.19
AHX3224	KM26	120	115	90	M130X2	23224K	1.3	AHX2311	KM12	55	50	54	M60X2	2311K	22311K	0.26
AHX3226	KM28	130	125	98	M140X2	23226K	1.5	AHX2312	KM13	60	55	58	M65X2	2312K	22312K	0.3
AHX3228	KM30	140	135	104	M150X2	23228K	1.75	AH2313	KM14	65	60	61	M70X2	2313K	22313K	0.36
AHX3230	KM32	150	145	114	M160X3	23230K	2.1	AHX2314	KM15	70	65	64	M75X2	—	22314K	0.42
AH3232	KM34	160	150	124	M170X3	23232K	3.7	AHX2315	KM16	75	70	68	M80X2	2315K	22315K	0.48
AH3234	KM36	170	160	134	M180X3	23234K	4.35	AHX2316	KM18	80	75	71	M90X2	2316K	22316K	0.57
AH3236	KM38	180	170	140	M190X3	23236K	4.85	AHX2317	KM19	85	80	74	M95X2	2317K	22317K	0.65
AH3238	KM40	190	180	145	M200X3	23238K	5.4	AHX2318	KM20	90	85	79	M100X2	2318K	22318K	0.76
AH3240	HM3044	200	190	153	Tr220X4	23240K	6.6	AHX2319	KM21	95	90	85	M105X2	2319K	22319K	0.9
AOH3260	HM3164	300	280	228	Tr320X5	23260K	23.5	AHX2320	KM22	100	95	90	M110X2	2320K	22320K	1
AOH3264	HM3168	320	300	246	Tr340X5	23264K	27.5	AHX2322	KM24	110	105	98	M120X2	—	22322K	1.3
AOH3268	HM3172	340	320	264	Tr360X5	23268K	32	AHX2324	KM26	120	115	105	M130X2	—	22324K	1.55
AOH3272	HM3176	360	340	274	Tr380X5	23272K	35.5	AHX2326	KM28	130	125	115	M140X2	—	22326K	1.85
AOH3276	HM3180	380	360	284	Tr400X5	23276K	42	AHX2328	KM30	140	135	125	M150X2	—	22328K	2.25
AOH3280	HM3184	400	380	302	Tr420X5	23280K	48	AHX2330	KM32	150	145	135	M160X3	—	22330K	3.7
AOH3284	HM3188	420	400	321	Tr440X5	23284K	54.5	AH2332	KM34	160	150	140	M170X3	—	22332K	4.35
AOHX3288	HM3192	440	420	330	Tr460X5	23288K	59	AH2334	KM36	170	160	146	M180X3	—	22334K	4.85
AOHX3292	HM3196	460	440	349	Tr480X5	23292K	66.5	AH2336	KM38	180	170	154	M190X3	—	22336K	5.5
AOHX3296	HM31/500	480	460	364	Tr500X5	23296K	73.5	AH2338	KM40	190	180	160	M200X3	—	22338K	6.1
AOHX32/500	HM31/530	500	480	393	Tr530X6	232/500K	89.5	AH2340	HM3044	200	190	170	Tr220X4	—	22340K	7.6
AOH32/530	HM31/560	530	500	412	Tr560X6	232/530K	127	AOH2344	HM3048	220	200	181	Tr240X4	—	22344K	13.5
AOHX32/560	HM31/600	560	530	422	Tr600X6	232/560K	143	AOH2348	HM3052	240	220	189	Tr260X4	—	22348K	14
AOHX32/600	HM31/630	600	570	445	Tr630X6	232/600K	159	AOH2352	HM3056	260	240	205	Tr280X4	—	22352K	19
AOH32/630	HM31/670	630	600	475	Tr670X6	—	188	AOH2356	HM3160	280	260	212	Tr300X4	—	22356K	21.5
AOH32/670	HM31/710	670	630	500	Tr710X7	232/670K	252									
AOH32/710	HM31/750	710	670	515	Tr750X7	232/710K	278									
AOH32/750	HM31/800	750	710	540	Tr800X7	232/750K	320									





AH30 series

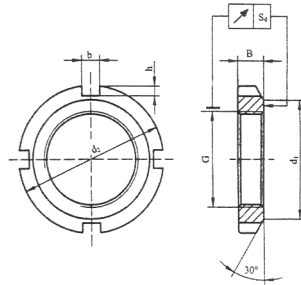


KM系列

KM Series Lock Nut

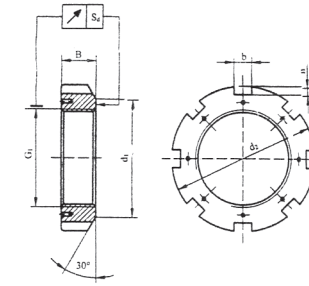
Designations		Principal Dimensions (mm)				Assorted Bearings	Weight (kg)		Designations	Screw Thread G	Principal Dimensions (mm)					Mounting Lock Washer	Weight (kg)
Withdrawal Sleeve	Lock Nut Designation	d	d ₁	B ₁	G	Roller Bearing					d ₁	d ₂	B	b	h		
AHX3024	KM26	120	115	60	M130X2	23024K	0.73		KM00	M10X0.75	13.5	18	4	3	2	MB00	0.004
AHX3026	KM28	130	125	67	M140X2	23026K	0.91		KM01	M12X1	17	22	4	3	2	MB01	0.006
AHX3028	KM30	140	135	68	M150X2	23028K	1		KM02	M15X1	21	25	5	4	2	MB02	0.009
AHX3030	KM32	150	145	72	M160X3	23030K	1.15		KM03	M17X1	24	28	5	4	2	MB03	0.012
AH3032	KM34	160	150	77	M170X3	23032K	2		KM04	M20X1	26	32	6	4	2	MB04	0.025
AH3034	KM36	170	160	85	M180X3	23034K	2.45		KM05	M25X1.5	32	38	7	5	2	MB05	0.028
AH3036	KM38	180	170	92	M190X3	23036K	2.8		KM06	M30X1.5	38	45	7	5	2	MB06	0.039
AH3038	KM40	190	180	96	M200X3	23038K	3.3		KM07	M35X1.5	44	52	8	5	2	MB07	0.059
AH3040	HM42T	200	190	102	Tr210X4	23040K	3.7		KM08	M40X1.5	50	58	9	6	2.5	MB08	0.078
AOH3044	HM46T	220	200	111	Tr230X4	23044K	7.3		KM09	M45X1.5	56	65	10	6	2.5	MB09	0.11
AOH3048	HM3052	240	220	116	Tr260X4	23048K	7.95		KM10	M50X1.5	61	70	11	6	2.5	MB10	0.14
AOH3052	HM3056	260	240	128	Tr280X4	23052K	9.55		KM11	M55X2	67	75	11	7	3	MB11	0.15
AOH3056	HM3060	280	260	131	Tr300X4	23056K	11		KM12	M60X2	73	80	11	7	3	MB12	0.16
AOH3060	HM3064	300	280	145	Tr320X5	23060K	13		KM13	M65X2	79	85	12	7	3	MB13	0.19
AOH3064	HM3068	320	300	149	Tr340X5	23064K	16.5		KM14	M70X2	85	92	12	8	3.5	MB14	0.23
AOH3068	HM3072	340	320	162	Tr360X5	23068K	19		KM15	M75X2	90	98	13	8	3.5	MB15	0.27
AOH3072	HM3076	360	340	167	Tr380X5	23072K	21		KM16	M80X2	95	105	15	8	3.5	MB16	0.36
AOH3076	HM3080	380	360	170	Tr400X5	23076K	22.5		KM17	M85X2	102	110	16	8	3.5	MB17	0.41
AOH3080	HM3084	400	380	183	Tr420X5	23080K	26		KM18	M90X2	108	120	16	10	4	MB18	0.51
AOH3084	HM3088	420	400	186	Tr440X5	23084K	28		KM19	M95X2	113	125	17	10	4	MB19	0.55
AOHX3088	HM3092	440	420	194	Tr460X5	23088K	31		KM20	M100X2	120	130	18	10	4	MB20	0.64
AOHX3092	HM3096	460	440	202	Tr480X5	23092K	34		KM21	M105X2	126	140	18	12	5	MB21	0.79
AOHX3096	HM30/500	480	460	205	Tr500X5	23096K	34		KM22	M110X2	133	145	19	12	5	MB22	0.87
AOHX30/500	HM30/530	500	480	209	Tr530X6	230/500K	41		KM23	M115X2	137	150	19	12	5	MB23	0.91
AOH30/530	HM30/560	530	500	230	Tr560X6	230/530K	63.5		KM24	M120X2	138	155	20	12	5	MB24	0.97
AOHX30/560	HM30/600	560	530	240	Tr600X6	230/560K	73.5		KM25	M125X2	148	160	21	12	5	MB25	1.1
AOHX30/600	HM30/630	600	570	245	Tr630X6	230/600K	77		KM26	M130X2	149	165	21	12	5	MB26	1.1
AOH30/630	HM30/670	630	600	248	Tr670X6	230/630K	88.5		KM27	M135X2	160	175	22	14	6	MB27	1.4
AOH30/670	HM30/710	670	630	280	Tr710X7	230/670K	125		KM28	M140X2	160	180	22	14	6	MB28	1.4
AOHX30/710	HM30/750	710	670	286	Tr750X7	230/710K	138		KM29	M145X2	171	190	24	14	6	MB29	1.8
AOH30/750	HM30/800	750	710	300	Tr800X7	230/750K	145		KM30	M150X2	171	195	24	14	6	MB30	1.9
AOH30/800	HM30/850	800	750	308	Tr850X7	230/800K	204		KM31	M155X3	182	200	25	16	7	MB31	2.1
AOH30/850	HM30/900	850	800	325	Tr900X7	230/850K	230		KM32	M160X3	182	210	25	16	7	MB32	2.3
AOH30/900	HM30/950	900	850	335	Tr950X8	230/900K	250		KM33	M165X3	193	210	26	16	7	MB33	2.3
AOH30/950	HM30/1000	950	900	355	Tr1000X8	230/950K	285		KM34	M170X3	193	220	26	16	7	MB34	2.35
AOH30/1000	HM30/1060	1000	950	365	Tr1060X8	230/1000K	318		KM36	M180X3	203	230	27	18	8	MB36	2.8
AOH30/1060	HM30/1120	1060	1000	385	Tr1120X8	230/1060K	406		KM38	M190X3	214	240	28	18	8	MB38	3.05





KM series

Designations	Screw Thread G	Principal Dimensions (mm)					Mounting Lock Washer	Weight (kg)
		d ₁	d ₂	B	b	h		
KM40	M200X3	226	250	29	18	8	MB40	3.35
HM42T	Tr210x4	238	270	30	20	10	-	5.1
HM44T	Tr220x4	250	280	32	20	10	MB44	4.75
HM46T	Tr230x4	260	290	34	20	10	-	5.45
HM48T	Tr240x4	270	300	34	20	10	MB48	5.6
HM50T	Tr250x4	290	320	36	20	10	-	7.45
HM52T	Tr260x4	300	330	36	24	12	MB52	7.55
HM56T	Tr280x4	320	350	38	24	12	MB56	8.65



HM31 series

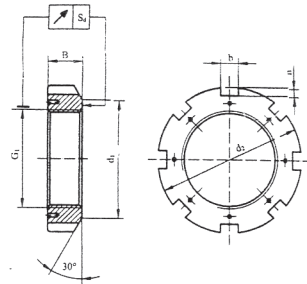
HM Series Lock Nut

Designations	Screw Thread G	Principal Dimensions (mm)					Mounting Lock Washer	Weight (kg)
		d ₁	d ₂	B	b	h		
HM3160	Tr 220x4	340	380	40	24	12	MS3160	11.5
HM3164	Tr 240x4	270	300	34	20	10	MS3164	13
HM3168	Tr 260x4	300	330	36	24	12	MS3172-68	24
HM3172	Tr 280x4	320	350	38	24	12	MS3172-68	26.5
HM3176	Tr 300x4	340	380	40	24	12	MS3176	32
HM3180	Tr 320x5	360	400	42	24	12	MS3184-80	38
HM3184	Tr 340x5	400	440	55	28	15	MS3184-80	45
HM3188	Tr 360x5	420	460	58	28	15	MS3192-88	46.5
HM3192	Tr 380x5	440	490	60	32	18	MS3192-88	50.5
HM3196	Tr 400x5	460	520	62	32	18	MS3196	62
HM31/500	Tr 420x5	490	540	70	32	18	MS31/500	63.5
HM31/530	Tr 440x5	510	560	70	36	20	MS31/530	71.5
HM31/560	Tr 460x5	540	580	75	36	20	MS31/600-560	86.5
HM31/600	Tr 480x5	560	620	75	36	20	MS31/600-560	91.5
HM31/630	Tr 500x5	580	630	80	40	23	MS31/630	125
HM31/670	Tr 530x6	610	670	80	40	23	MS31/670	155
HM31/710	Tr 560x6	650	710	85	45	25	MS31/710	162
HM31/750	Tr 600x6	690	750	85	45	25	MS31/800-750	190
HM31/800	Tr 630x6	730	800	95	50	28	MS31/800-750	202
HM31/850	Tr 670x6	775	850	106	50	28	MS31/850	234
HM31/900	Tr 710x7	825	900	106	55	30	MS31/900	280
HM31/950	Tr 750x7	875	950	112	60	34	MS31/950	293
HM31/1000	Tr 800x7	925	1000	112	60	34	MS31/1000	336
HM31/1060	Tr 850x7	975	1060	118	70	38	MS31/1060	354

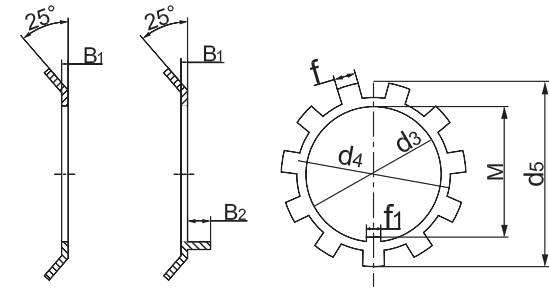
KML series

Designations	Screw Thread G	Principal Dimensions (mm)					Mounting Lock Washer	Weight (kg)
		d ₁	d ₂	B	b	h		
KML24	M120X2	135	145	20	12	5	MBL24	0.69
KML26	M130X2	145	155	21	12	5	MBL26	0.8
KML28	M140X2	155	165	22	12	5	MBL28	0.92
KML30	M150X2	170	180	24	14	5	MBL30	1.25
KML32	M160X3	180	190	25	14	5	MBL32	1.4
KML34	M170X3	190	200	26	16	5	MBL34	1.55
KML36	M180X3	200	210	27	16	5	MBL36	1.8
KML38	M190X3	210	220	28	16	5	MBL38	1.85
KML40	M200X3	222	240	29	18	8	MBL40	2.6





HML Series Lock Nut



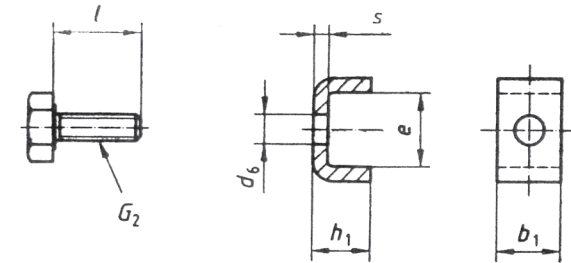
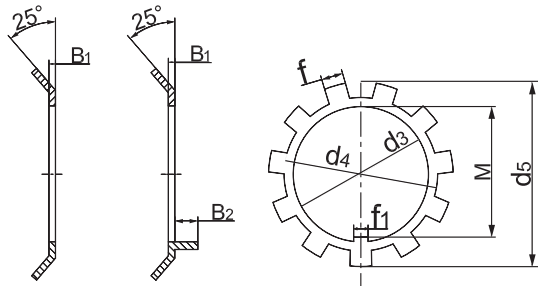
MB, MBA Series Lock Washer

HM30 series

Designations	Screw Thread G	Principal Dimensions (mm)					Mounting Lock Washer	Weight (kg)
		d ₁	d ₂	B	b	h		
HM3044	Tr220X4	242	260	30	20	9	MS3044	2.75
HM3048	Tr240X4	270	290	34	20	10	MS3052-48	4.5
HM3052	Tr260X4	290	310	34	20	10	MS3052-48	4.8
HM3056	Tr280X4	310	330	38	24	10	MS3056	5.75
HM3060	Tr300X4	336	360	42	24	12	MS3060	8.35
HM3064	Tr320X5	356	380	42	24	12	MS3068-64	9
HM3068	Tr340X5	376	400	45	24	12	MS3068-64	11
HM3072	Tr360X5	394	420	45	28	13	MS3072	11.5
HM3076	Tr380X5	422	450	48	28	14	MS3080-76	15
HM3080	Tr400X5	442	470	52	28	14	MS3080-76	17
HM3084	Tr420X5	462	490	52	32	14	MS3084	18.5
HM3088	Tr440X5	490	520	60	32	15	MS3092-88	26
HM3092	Tr460X5	510	540	60	32	15	MS3092-88	27
HM3096	Tr480X5	530	560	60	36	15	MS30/500-96	28
HM30/500	Tr500X5	550	580	68	36	15	MS30/500-96	33.5
HM30/530	Tr530X6	590	630	68	40	20	MS30/600-530	42.5
HM30/560	Tr560X6	610	650	75	40	20	MS30/560	44.5
HM30/600	Tr600X6	660	700	75	40	20	MS30/600-530	52.5
HM30/630	Tr630X6	690	730	75	45	20	MS30/630	55
HM30/670	Tr670X6	740	780	80	45	20	MS30/670	68.5
HM30/710	Tr710X7	780	830	90	50	25	MS30/710	91.5
HM30/750	Tr750X7	820	870	90	55	25	MS30/800-750	94
HM30/800	Tr800X7	870	920	90	55	25	MS30/800-750	99.5
HM30/850	Tr850X7	925	980	90	60	25	MS30/900-850	115
HM30/900	Tr900X7	975	1030	100	60	25	MS30/900-850	131
HM30/950	Tr950X8	1025	1080	100	60	25	MS30/950	139
HM30/1000	Tr1000X8	1085	1140	100	60	25	MS30/1000	157
HM30/1060	Tr1060X8	1145	1200	100	60	25	MS30/1000	166
HM30/1120	Tr1120X8	1205	1260	100	60	25	MS30/1000	175

Designations	Principal Dimensions (mm)							Weight (kg)
	d ₃	d ₄	d ₅ ≈	f ₁ max	M	f	B ₁ ≈	
MB00	10	13.5	21	3	8.5	3	1	0.001
MB01	12	17	25	3	10.5	3	1	0.002
MB02	15	21	28	4	13.5	4	1	0.003
MB03	17	24	32	4	15.5	4	1	0.003
MB04	20	26	36	4	18.5	4	1	0.004
MB05	22	28	38	4	20.5	4	1	0.006
MB06	25	32	42	5	23	5	1.25	0.008
MB07	28	36	46	5	26	5	1.25	0.011
MB08	30	38	49	5	27.5	5	1.25	0.013
MB09	32	40	52	6	29.5	5	1.25	0.015
MB10	35	44	57	6	32.5	5	1.25	0.016
MB11	40	50	62	6	37.5	6	1.25	0.022
MB12	45	56	69	6	42.5	6	1.25	0.024
MB13	50	61	74	6	47.5	6	1.25	0.03
MB14	55	67	81	8	52.5	7	1.5	0.032
MB15	60	73	86	8	57.5	7	1.5	0.035
MB16	65	79	92	8	62.5	7	1.5	0.046
MB17	70	85	98	8	66.5	8	1.75	0.053
MB18	75	90	104	8	71.5	8	1.75	0.061
MB19	80	95	112	10	76.5	8	1.75	0.066
MB20	85	102	119	10	81.5	8	1.75	0.077
MB21	90	108	126	10	86.5	10	1.75	0.083
MB22	95	113	133	10	91.5	10	1.75	0.091
MB23	100	120	142	12	96.5	10	1.75	0.11
MB24	105	126	145	12	100.5	12	1.8	0.11
MB25	110	133	154	12	105.5	12	1.8	0.12
MB26	115	137	159	12	110.5	12	2	0.12
MB27	120	138	164	14	115	12	2	0.12
MB28	125	148	170	14	120	12	2	0.14
MB29	130	149	175	14	125	12	2	0.14
MB30	135	160	185	14	130	14	2	0.17
MB31	140	160	192	16	135	14	2	0.18
MB32	145	172	202	16	140	14	2	0.2
MB33	150	171	205	16	145	14	2	0.22
	155	182	212	16	147.5	16	2.5	0.22
	160	182	217	18	154	16	2.5	0.24





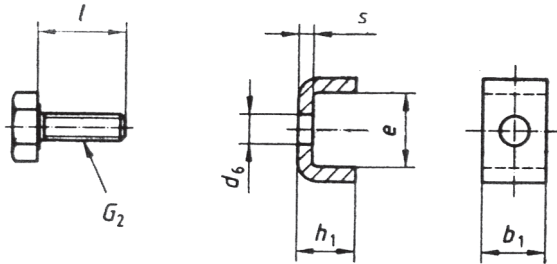
MS31 series

MS series lock nut

Designations	Principal Dimensions (mm)								Weight (kg)	Designations	Principal Dimensions (mm)					Bolt Dimensions C		Weight (kg)
	d ₃	d ₄	d ₅ ≈	f ₁ max	M	f	B ₁ ≈	S ≈			b ₁	h ₁	e	d ₆	l ≈	G ₂		
MB34	170	193	232	18	164	16	2.5	0.24	MS3160	4	24	12	30.5	12	20	M 10	0.04	
MB36	180	203	242	20	174	18	2.5	0.26	MS3164	5	24	15	31	12	20	M 10	0.055	
MB38	190	214	252	20	184	18	2.5	0.26	MS3172-68	5	28	15	38	14	25	M 12	0.069	
MB40	200	226	262	20	194	18	2.5	0.28	MS3176	5	32	15	40	14	25	M 12	0.083	
MB44	220	250	292	24	213	20	3	0.35	MS3184-80	5	32	15	45	18	30	M 16	0.089	
MB48	240	270	312	24	233	20	3	0.45	MS3192-88	5	36	15	43	18	30	M 16	0.097	
MB52	260	300	342	28	253	24	3	0.65	MS3196	5	36	15	53	18	30	M 16	0.11	
MB56	280	320	362	28	273	24	3	1.05	MS31/500	5	40	15	45	18	30	M 16	0.11	
									MS31/530	7	40	21	51	22	40	M 20	0.19	
									MS31/600-560	7	45	21	54	22	40	M 20	0.22	
									MS31/630	7	50	21	61	22	40	M 20	0.27	
									MS31/670	7	50	21	66	22	40	M 20	0.28	
									MS31/710	7	55	21	69	26	50	M 24	0.32	
									MS31/800-750	7	60	21	70	26	50	M 24	0.35	
									MS31/850	7	70	21	71	26	50	M 24	0.41	
									MS31/900	7	70	21	76	26	50	M 24	0.41	
									MS31/950	7	70	21	78	26	50	M 24	0.42	
									MS31/1000	7	70	21	88	26	50	M 24	0.5	

Designations	Principal Dimensions (mm)								Weight (kg)
	d ₃	d ₄	d ₅ ≈	f ₁ max	M	f	B ₁ ≈		
MBL24	120	135	152	14	115	12	2	0.07	
MBL26	130	145	161	14	125	12	2	0.08	
MBL28	140	155	172	16	135	14	2	0.09	
MBL30	150	170	189	16	145	14	2	0.1	
MBL32	160	180	199	18	154	16	2.5	0.14	
MBL34	170	190	211	18	164	16	2.5	0.15	
MBL36	180	200	222	20	174	18	2.5	0.16	
MBL38	190	210	232	20	184	18	2.5	0.17	
MBL40	200	222	245	20	194	18	2.5	0.22	





MS32 series

MSL series lock nut

Designations	Principal Dimensions (mm)					Bolt Dimensions		kg
	S_{\approx}	b_1	h_1	e	d_6	l_{\approx}	G_2	
MS3044	4	20	12	13.5	7	12	M 6	0.022
MS3052-48	4	20	12	17.5	9	16	M 8	0.024
MS3056	4	24	12	17.5	9	16	M 8	0.03
MS3060	4	24	12	20.5	9	16	M 8	0.033
MS3068-64	5	24	15	21	9	16	M 8	0.046
MS3072	5	28	15	20	9	16	M 8	0.051
MS3080-76	5	28	15	24	12	20	M 10	0.055
MS3084	5	32	15	24	12	20	M 10	0.063
MS3092-88	5	32	15	28	14	25	M 12	0.067
MS30/500-96	5	36	15	28	14	25	M 12	0.076
MS30/560	7	40	21	29	18	30	M 16	0.15
MS30/600-530	7	40	21	34	18	30	M 16	0.14
MS30/630	7	45	21	34	18	30	M 16	0.17
MS30/670	7	45	21	39	18	30	M 16	0.19
MS30/710	7	50	21	39	18	30	M 16	0.21
MS30/800-750	7	55	21	39	18	30	M 16	0.23
MS30/900-850	7	60	21	44	22	40	M 20	0.26
MS30/950	7	60	21	46	22	40	M 20	0.26
MS30/1000	7	60	21	51	22	40	M 20	0.28

Discover **UBC**



Reproduction of this catalog is not allowed.

With the improvement of product design or production technology, we might change the part number coding or any technical data without prior notice. We have tried every bit of our efforts to review the contents in this catalogue but it might be unavoidable with some mistakes. Please contact us in case you have any doubt. We would appreciate your kind understanding and support.